



**Capacity (EN 12900/CECOMAF)**

**watt**

Comp.°C	-45	-40	-35	-30	-25	-23.3	-20	-15	-10	-5
SC18CL	167	271	395	542	715	781	918	1154	1425	1735

**Capacity (ASHRAE)**

**watt**

Comp.°C	-45	-40	-35	-30	-25	-23.3	-20	-15	-10	-5
SC18CL	193	313	457	628	830	907	1067	1342	1659	2022

**Power consumption**

**watt**

Comp.°C	-45	-40	-35	-30	-25	-23.3	-20	-15	-10	-5
SC18CL	294	376	455	534	615	643	700	792	894	1008

**Current consumption**

**A**

Comp.°C	-45	-40	-35	-30	-25	-23.3	-20	-15	-10	-5
SC18CL	2.61	2.80	3.02	3.29	3.60	3.72	3.96	4.36	4.80	5.29

**COP (EN 12900/CECOMAF)**

**W/W**

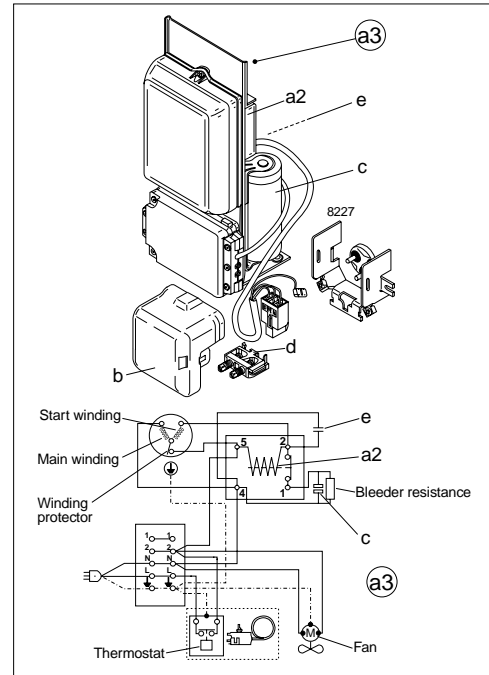
Comp.°C	-45	-40	-35	-30	-25	-23.3	-20	-15	-10	-5
SC18CL	0.57	0.72	0.87	1.01	1.16	1.21	1.31	1.46	1.59	1.72

**COP (ASHRAE)**

**W/W**

Comp.°C	-45	-40	-35	-30	-25	-23.3	-20	-15	-10	-5
SC18CL	0.66	0.83	1.00	1.18	1.35	1.41	1.52	1.69	1.86	2.01

Test conditions	EN 12900/CECOMAF	ASHRAE
Condensing temperature	45°C	45°C
Ambient and suction gas temp.	32°C	32°C
Liquid temperature	45°C	32°C
Fan cooling F <sub>2</sub> , 220V 50Hz		



**Kunjungi situs PT. Polarin Xinindo di [polarin.co.id](http://polarin.co.id) untuk mendapatkan kompresor Danfoss yang sesuai dengan kebutuhan Anda**

**Accessories**

Devices	Fig.	SC18CL
Starting device	a3	117-7012 (470 mm cable length) 117-7027 (550 mm cable length) 117-7046 (650 mm cable length) 117-7040 (1000 mm cable length)
Cover	b	103N2009
Starting relay	a2	Components of starting device
Starting capacitor 80 µF	c	
Run capacitor	e	
Cord relief	d	103N1004
Mounting accessories		
Bolt joint for one compressor		118-1917
Bolt joint in quantities		118-1918
Snap-on in quantities		118-1919