

| PART NO | MODEL NUMBER | A ±3.0 | B | C | D ±3.0 |
|-------------|-----------------------------------------------------------------------------------------------------------------------------------------------------------------------------------------------------------------------------------------------------------------------------------------|---------------|---------------|---------------|--------------|
| 497-2546-00 | ZR40KC-PFV ZR40K3/K3E-PFJ,PFV,TFD,TFE,TF5 ZR42KC-PFV ZR42K3/K3E-PFJ,PFV,TFD,TFE,TF5 ZR42K3E-TF7 ZR42K3-TF7 ZB26KCE-TF5 | 400.2 [15.76] | 374.6 [14.75] | 277.1 [10.91] | 235.5 [9.27] |
| 497-2546-01 | ZR30KC-PFV ZR30K3/K3E-TFD,TFE ZR32KC-PFV ZR32K3/K3E-PFJ,PFV,TFD,TFE,TFJ ZR34KC-PFV ZR34KL-PFV ZR34K3/K3E-PFJ,PFV,TFD,TFE,TF5,TF7 ZR34KTE-TFD ZR36KC-PFV ZR30K3/K3E-PFJ,PFV,TF5 ZR36K3/K3E-TFD,TFE ZR36K3/K3E-PFJ,PFV,TF5 ZR36KCE-PFV ZB21KCE-TF5 | 386.4 [15.21] | 360.9 [14.21] | 264.4 [10.41] | 222.8 [8.77] |
| 497-2546-02 | ZR22K3/K3E-PFJ,PFV,TFD,TF5 ZR24K3/K3E-PFV,PFJ,TFD,TF5 ZR26KC-PFV ZR26K3/K3E-PFV,PFJ,TFD,TF5 ZR28K3/K3E-PFJ,PFV,TF5 ZR28KC-PFV ZR28K3/K3E-TFD ZB19KCE-TF5 | 363.9 [14.32] | 338.3 [13.32] | 244.5 [9.63] | 202.9 [7.99] |
| 497-2546-03 | ZR18K3/K3E-PFV | 352.8 [13.89] | 327.3 [12.89] | 233.5 [9.19] | 191.9 [7.55] |

| SPECIFICATIONS | |
|----------------|-------------------|
| ES NO. | DESCRIPTION |
| ES92-155 | CONVERSION-METRIC |

NOTES:

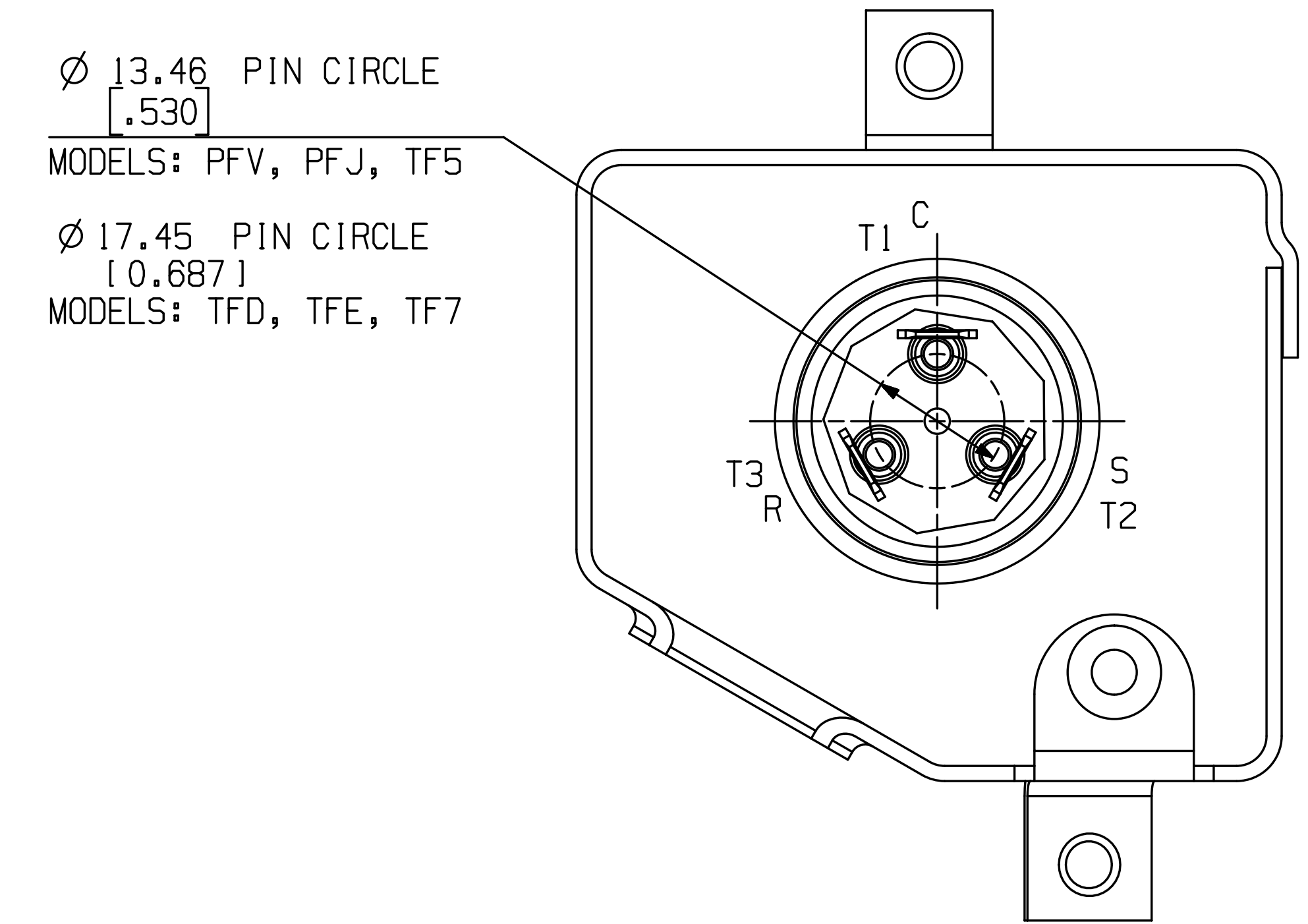
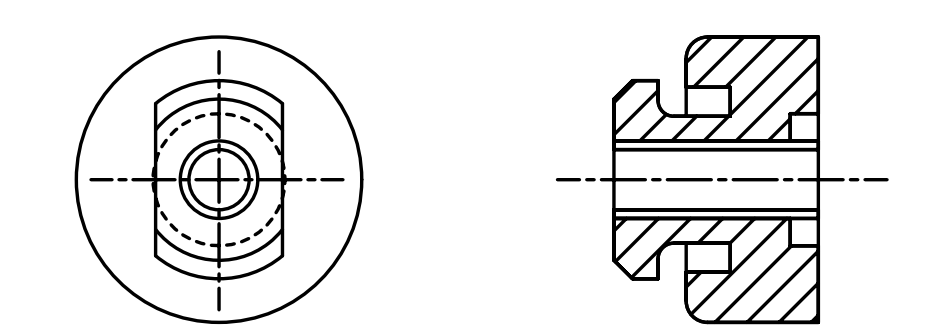
1 ALL TOLERANCES ±1.50 [0.060] UNLESS OTHERWISE SPECIFIED.

DUE TO ACCUMULATED ASSEMBLY TOLERANCES THE LISTED COMPONENTS MAY VARY FROM THE MOUNTING HOLES AS SHOWN BELOW:

2 MOUNTING KIT.

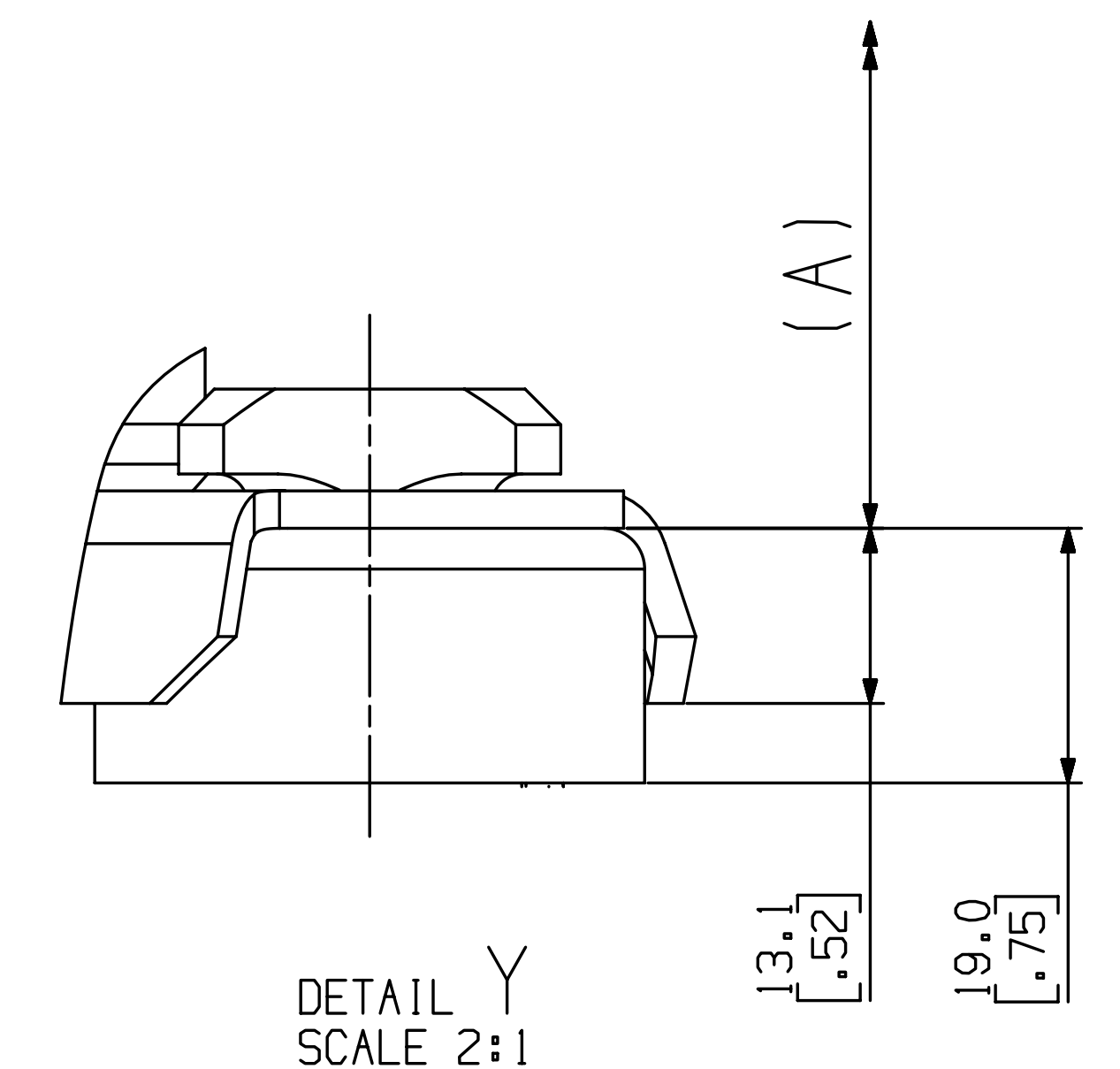
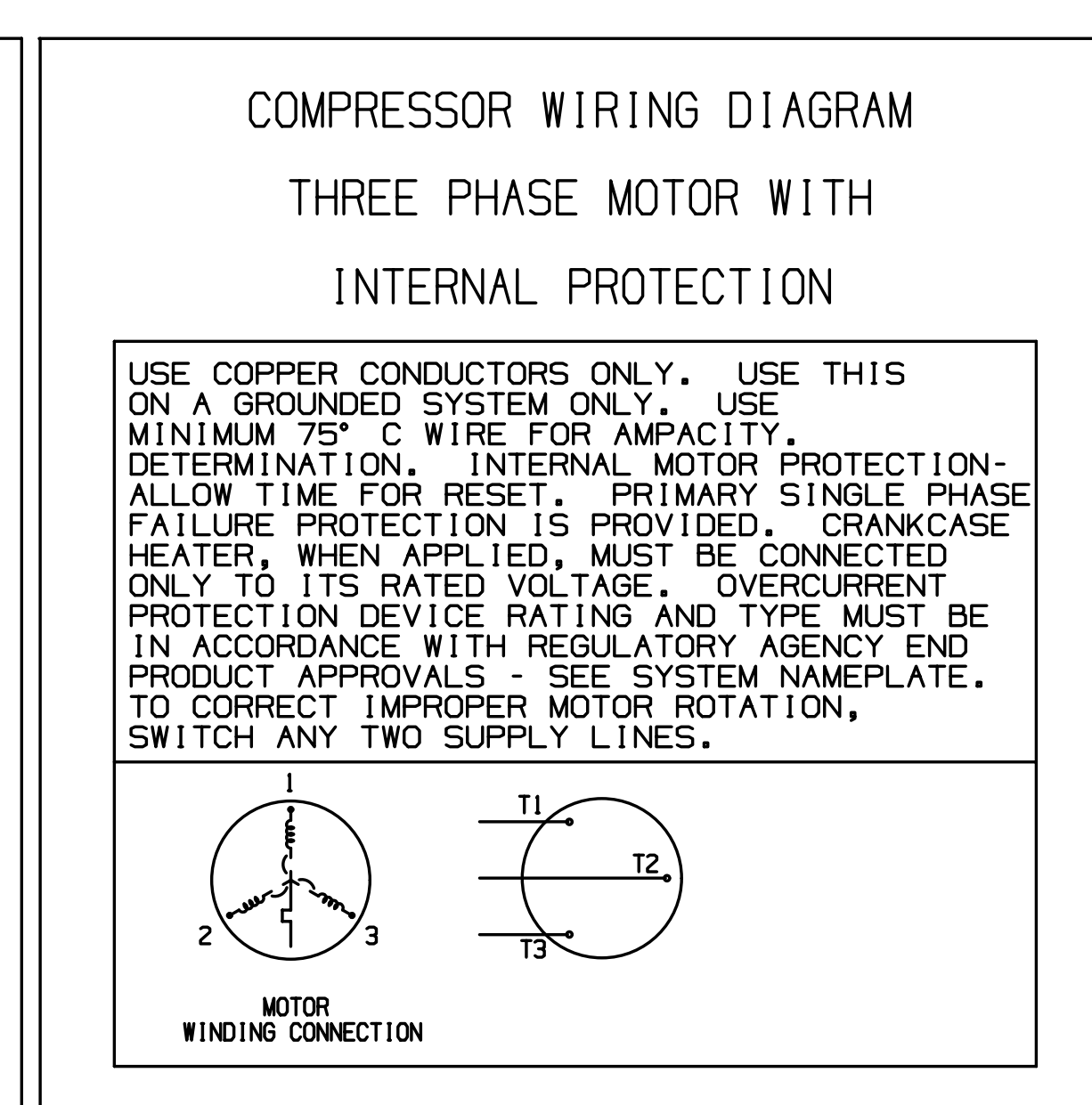
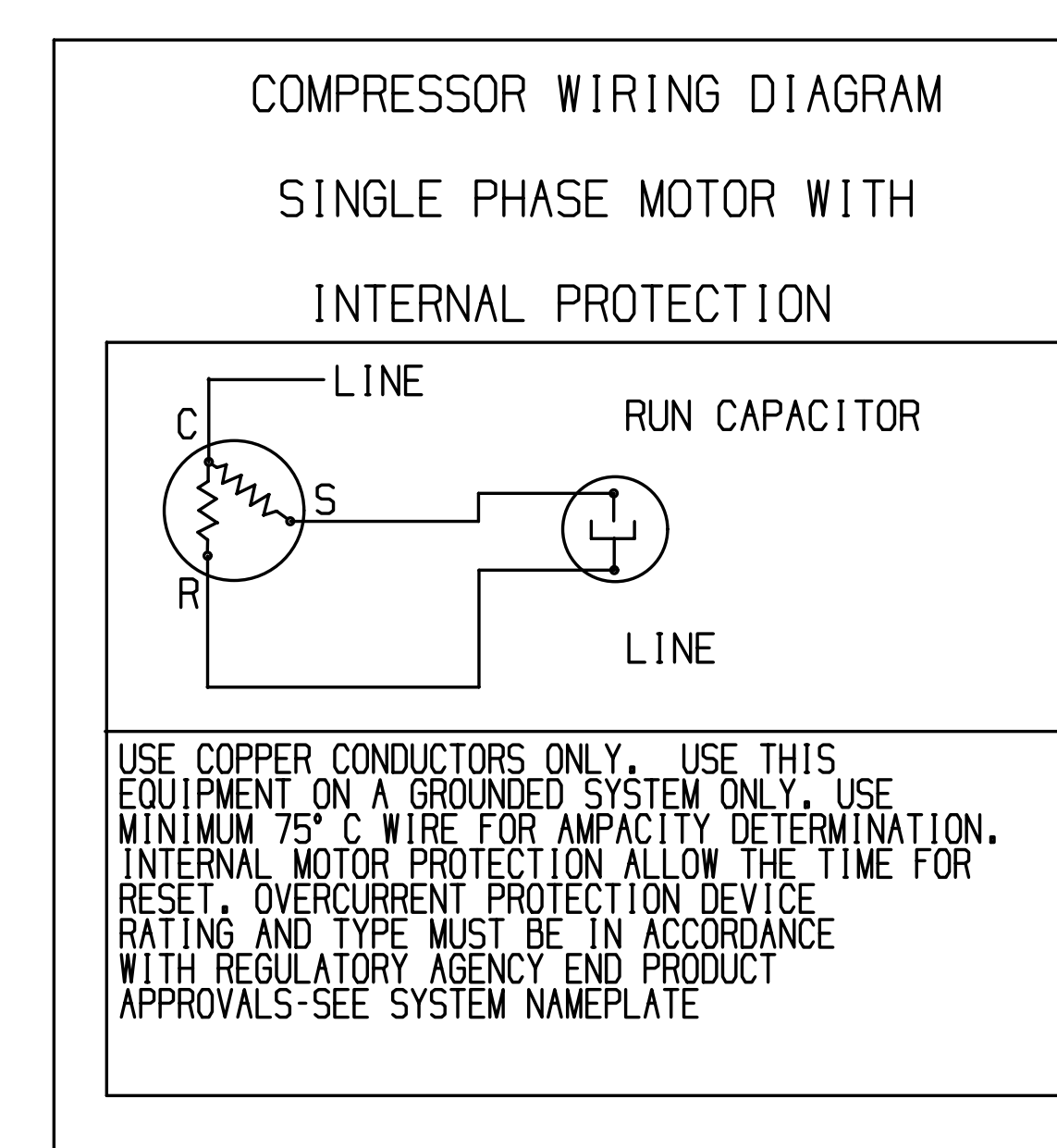
3. TUBE ENDS MUST BE PLUGGED.

| GROMMET DUROMETER | 4 FOOT KIT |
|-------------------|-------------|
| 35-45 | 527-0116-00 |

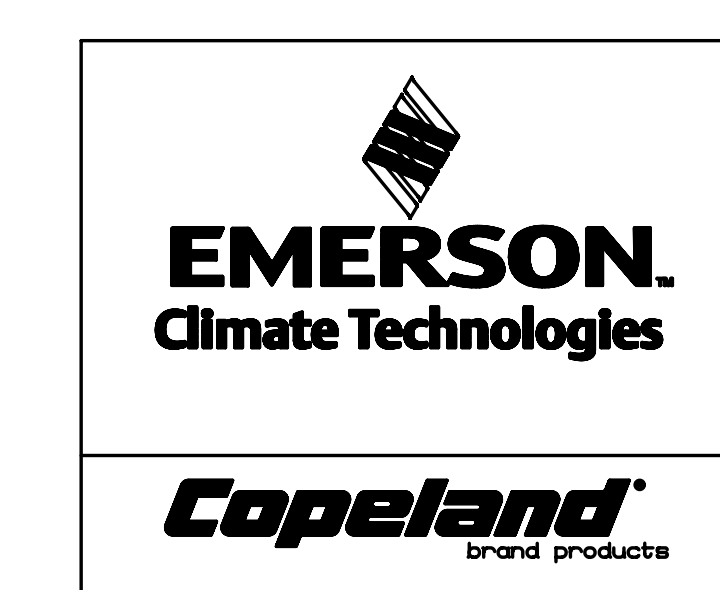


Ø 13.46 PIN CIRCLE [0.530]
MODELS: PFV, PFJ, TF5

Ø 17.45 PIN CIRCLE [0.687]
MODELS: TFD, TFE, TF7



Kunjungi situs PT. Polarin Xinindo di polarinxinindo.co.id untuk mendapatkan kompresor Copeland yang sesuai dengan kebutuhan Anda.



INTERPRET PER ASME Y14.5M-1994 AND EMERSON CLIMATE TECHNOLOGIES, INC. DESIGN STANDARDS DS2002 DO NOT SCALE DRAWING

CRITICAL PRODUCT CHARACTERISTICS

UNLESS OTHERWISE SPECIFIED DIMENSIONS ARE MILLIMETER OR 1 INCH

1-PLACE:

2-PLACE:

ANGULAR:

| ECO | REV | DESCRIPTION | DATE | BY | CHK | APPR |
|-------------|-----|------------------------------------|----------|----|-----|------|
| ECN008250 | 55 | ADDED MODEL ZB19/21/26 | 03-24-14 | LG | LB | VC |
| ECN005734 | 54 | REMOVED ZR34KTE-TFD MODEL | 01-17-14 | EL | LG | WS |
| ECN007492 | 53 | ADDED ZR36KCE-PFV MODEL | 01-13-14 | EL | LG | WS |
| ECN007793 | 52 | REDRAWN WITH NK & ADDED ZR42K3-TF7 | 01-09-14 | EL | LG | WS |
| 32-0993-029 | 0 | RELEASED | 03-24-93 | FB | | |

REVISIONS

CONFIDENTIALITY NOTICE

THIS DRAWING AND INFORMATION CONTAINED HEREIN ARE THE EXCLUSIVE PROPERTY OF EMERSON CLIMATE TECHNOLOGIES, INC. AND SHALL BE RETURNED TO EMERSON CLIMATE TECHNOLOGIES, INC. IMMEDIATELY UPON REQUEST. NO PART OF THIS DRAWING IS TO BE REPRODUCED OR TRANSMITTED IN ANY FORM OR BY ANY MEANS, WITHOUT THE WRITTEN CONSENT OF EMERSON CLIMATE TECHNOLOGIES, INC.

MATERIAL SPECIFICATION: N/A

DRAWN BY: EL

DATE: 01-09-14

SCALE: 3:4

SUPERSEDES DWG. NO. / REV. NO.: 497-2546-00/051

DATE FORMAT: MM-DD-YY

TITLE: REF DWG-WELD COMP ASSM

SHEET 1 OF 1

SIZE: 5